

+ POWER
DESIGN



CDP SERIES

Stylish high-performer

- » Ultra high-performance chain drive with 1500 N force of pressure and a 1000 mm stroke for SHEV and ventilation applications
- » Ideal for large, heavy NSHEV roof windows with sophisticated design requirements
- » Attractively shaped, slim appearance, goes perfectly with common post and beam constructions in roof areas

+ HARMONY HIGH-PERFORMANCE

The new dimension of power

Those who have yet to find a solution combining high architectural demands with SHEV drives for heavy NSHEV roof windows into a harmonious visual unit, will be delighted with our high-performance CDP chain drive. Thanks to its ultra high-performance drive and extremely stable chain, the drive offers a carrying capacity of up to 1500 N with a 1000 mm stroke – with only a 4 A power consumption. The CDP therefore also excels when it comes to cost efficiency. Designed for power – the CDP Series combines one-of-a-kind performance packed in an elegant design with low power consumption. With its symmetrical construction, the CDP SHEV chain drive goes perfectly with any modern design-conscious architecture and offers an

ideal solution for architectural SHEV applications. If a 1500 N drive isn't sufficient, up to 4 drives utilising proven BSY+ technology can be installed in order to open the roof windows with synchronised power and positioning. And for everyone who would like an even more powerful control mechanism for their roof windows: Due to its two motors, the CDP-TW has up to 3000 N force of pressure and thereby sets new standards for chain drives. If necessary, it is even possible to synchronously operate two CDP-TW on one window with a maximum force of pressure of 6000 N.



High-performance drive technology

- » Temperature resistant B300 (30 min / 300°C) with 10000 double strokes at the rated load
- » Plug-in cable connection
- » Reduced control panel size and quantity due to especially low power consumption of a mere 4 A
- » Available options 24 V DC or 230 V AC version
- » One-of-a-kind efficiency with maximum performance: 1000 mm stroke in 60 seconds with 1500 N rated load
- » VNR mode (Ventilation Noise Reduction) for exceptionally quiet ventilation operation
- » Microprocessor controlled BSY+ technology for synchronisation of up to 4 drives
- » High-speed function (HS) for very quick opening of the window in the case of a fire (SHEV)
- » High efficiency, ultra quiet gearbox

Stylish design

- » Optional adjustment of structural dimensions according to dimensional drawing
- » High-performance chain made of hardened and galvanised steel with service life lubrication
- » Symmetrical construction with an attractive curved design
- » Unique bracket solutions for safe and time-saving installation on window profiles
- » Housing made of high-quality aluminium





designed for power
Serie CDP

D+H



The CDP-TW

More design - more power

Roof windows can't even be heavy enough for this powerhouse: With 3000 N force of pressure, the CDP-TW from the CDP Series opens up some new perspectives. The Twinedition skilfully puts the focus on huge performance and stylish design.



The drive series with systematic safety

Extensive, system-specific bracket solutions are available with the CDP Series. Get an overview:

Aluprof®	Raico®
Colt®	Reynaers®
Gutmann®	Sapa®
Heroal®	Schüco®
Hueck®	Technal®
Jet Brakel®	Wicona®

If a suitable manufacturer is not listed for you, please contact our service regarding a solution.

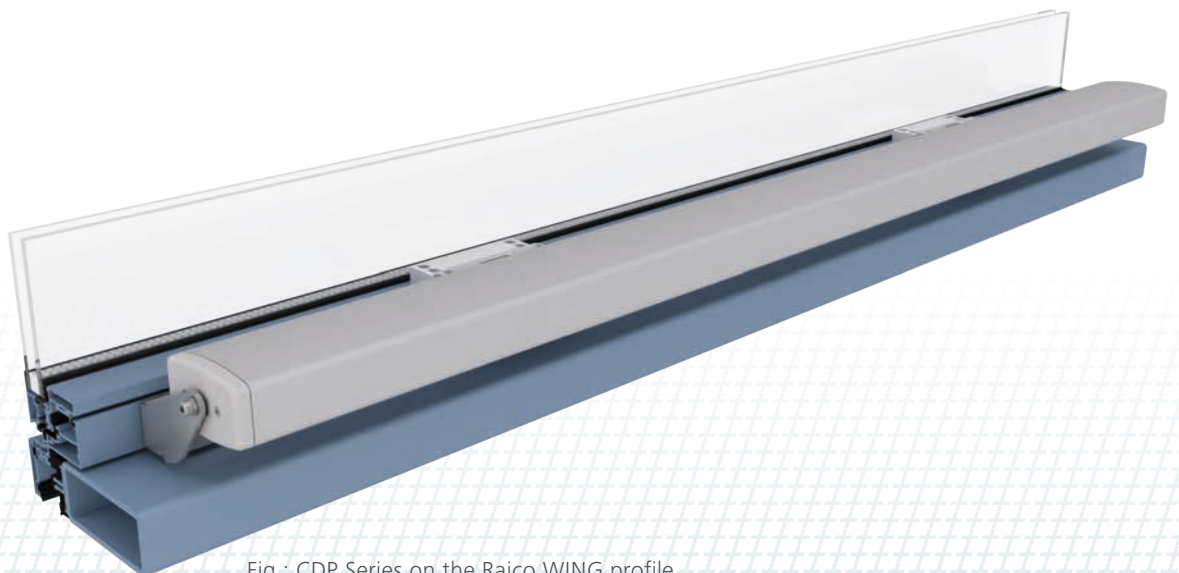


Fig.: CDP Series on the Raico WING profile

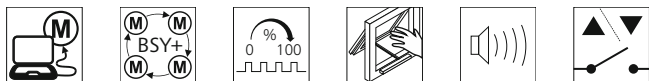
CDP-BSY+ / CDP-TW-BSY+



Performance features

- » Can be used for openings for smoke exhaust; D+H Euro SHEV in accordance with EN 12101-2; and for daily ventilation
- » With BSY+ motor and synchronised electronics controlled via microprocessor
- » High-speed function (HS) for especially fast opening windows in case of fire (SHEV)
- » Option of up to 4 drives (CDP-BSY+) / 2 drives (CDP-TW-BSY+) in one synchronous group
- » Symmetrical chain outlet for easy installation
- » Relief of pressure on window gasket after closing process
- » Programmable drive functions and different drive parameters
- » Running speed in CLOSED direction decreases to 5 mm/s (passive closing edge protection)
- » Time-controlled reversing when an obstacle is detected in the CLOSED direction (active closing edge protection)

Potential drive options



You can find the explanations for the icons in the legend.

Approvals / Certificates

Find out about permission details from your D+H Partner.



G 513003



5014068.18001

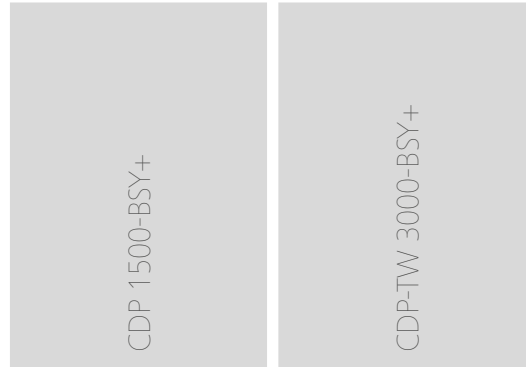


Article also available with the following permissions under other article numbers. Technical data may deviate.



Technical data

For further information please contact your D+H partner.



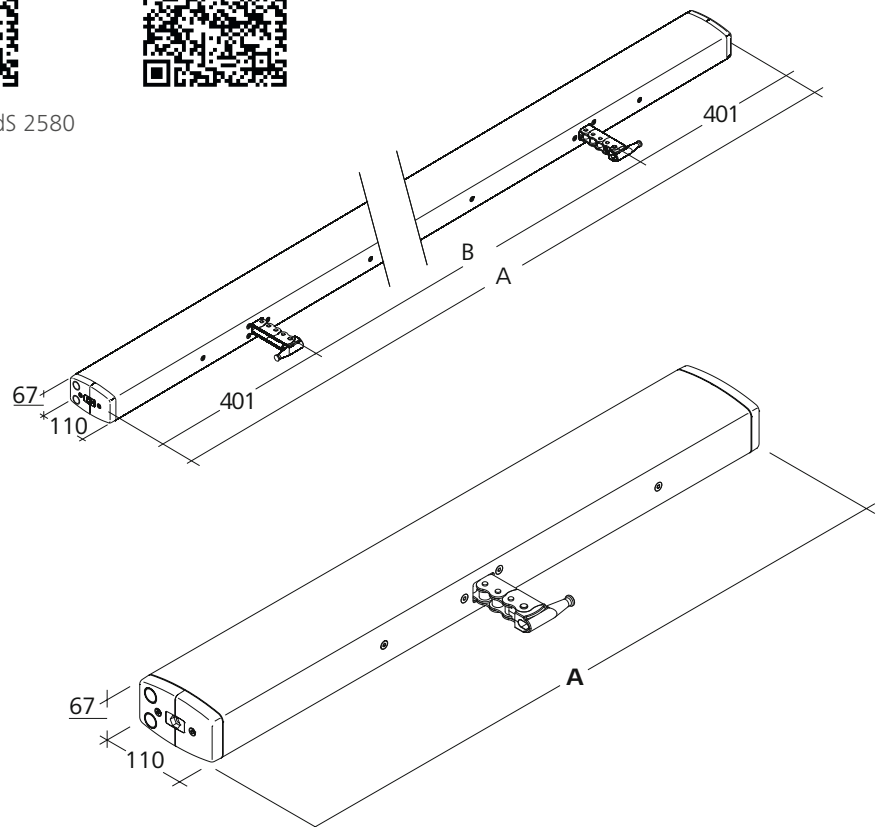
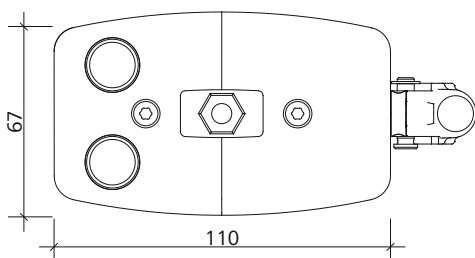
Supply	24 V DC / ±15 %	
Rated input current	4 A	8 A
Force of pressure	1500 N	3000 N
Tensile force	1500 N	3000 N
Nominal locking force **	3000 N	6000 N
Service life	> 10000 double strokes	
Stroke	600 - 1500 mm	
Type of protection	IP 32	
Emission sound pressure level	LpA ≤ 70 dB(A)	
Temperature range	-15 °C (-5 °C **) ... +75 °C	
Housing	Aluminium	
Colour	White aluminium (~ RAL 9006)	
H x D	67 x 110 mm	
Dimension A	702 - 1264 mm	1672 / 2002 mm
Dimension B	-	870 / 1200 mm



* Depending on the mounting, ** in accordance with VdS 2580

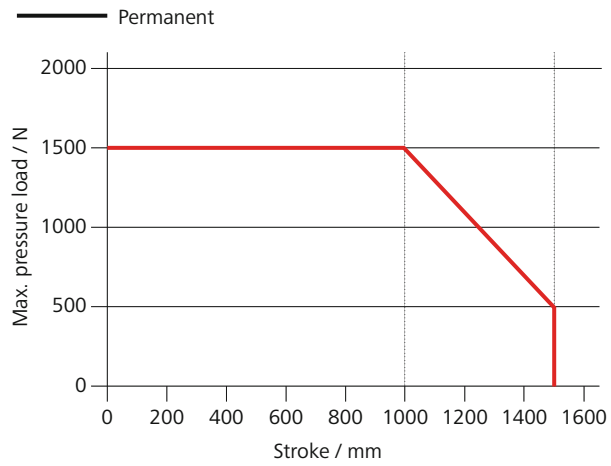
Dimensions

All specifications in mm

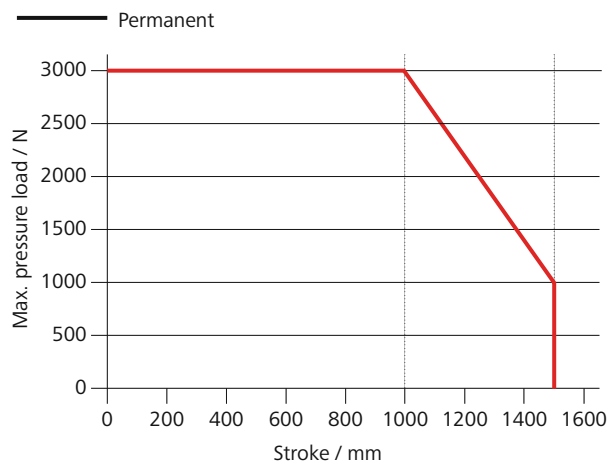


Pressure load diagram

CDP 1500-BSY+



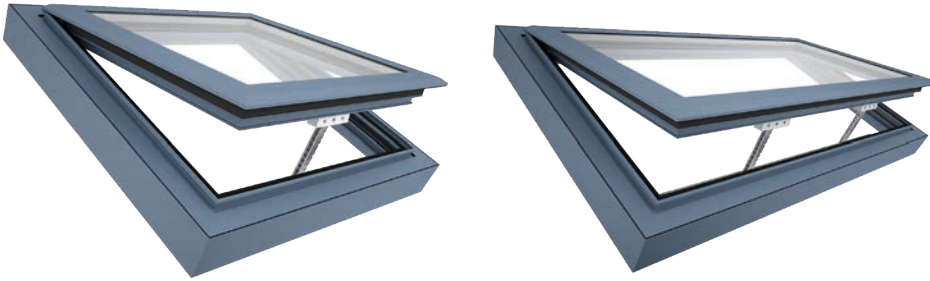
CDP-TW 3000-BSY+



Possible applications

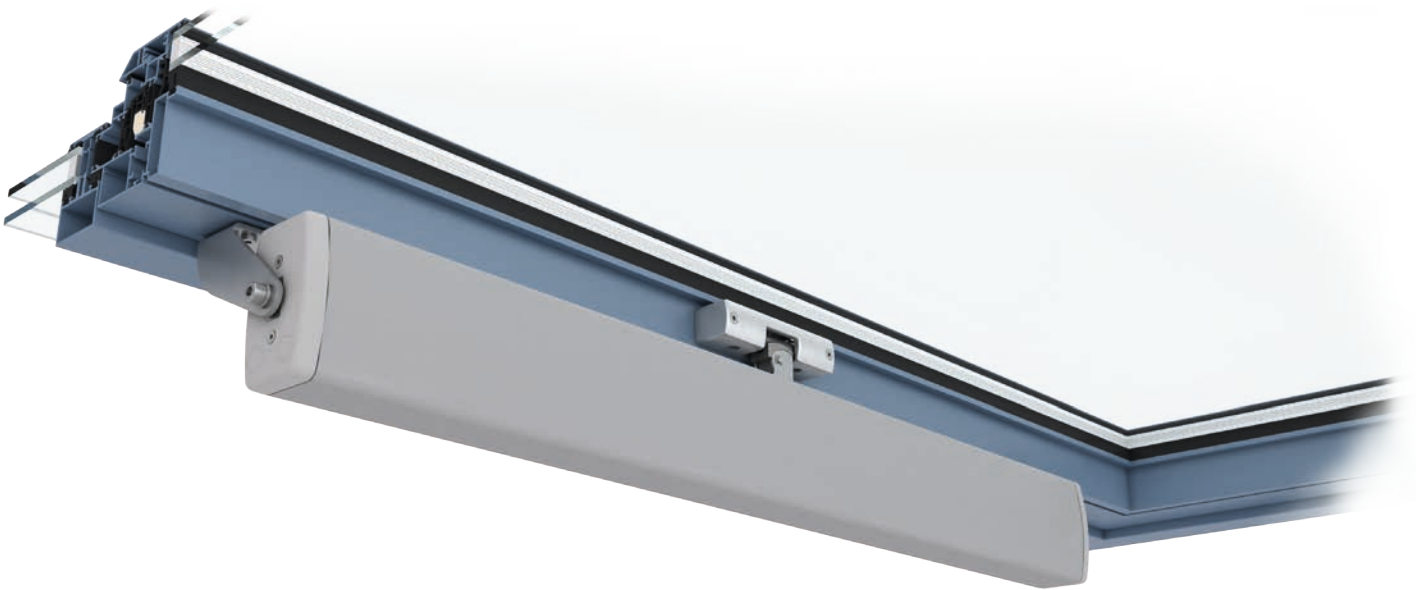
Illustration provided as an example

- » Mounted installation
- » Frame mounting
- » Application force
- » Application tension



Installation example

CDP 1500/1000-BSY+



Brackets are not included and have to be ordered separately.

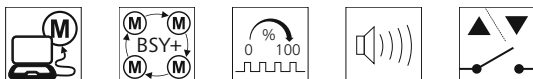
CDP-K-BSY+ / CDP-TW-K-BSY+



Performance features

- » Can be used for openings for smoke exhaust; D+H Euro SHEV in accordance with EN 12101-2; and for daily ventilation
- » With BSY+ motor and synchronised electronics controlled via microprocessor
- » Direct control via 230 V AC
- » High-speed function (HS) for especially fast opening windows in case of fire (SHEV)
- » Option of up to 4 drives (CDP-K-BSY+) / 2 drives (CDP-TW-K-BSY+) in one synchronous group
- » Symmetrical chain outlet for easy installation
- » Relief of pressure on window gasket after closing process
- » Programmable drive functions and different drive parameters
- » Running speed in CLOSED direction decreases to 5 mm/s (passive closing edge protection)
- » Time-controlled reversing when an obstacle is detected in the CLOSED direction (active closing edge protection)

Potential drive options



You can find the explanations for the icons in the legend.

Approvals / Certificates

Find out about permission details from your D+H Partner.

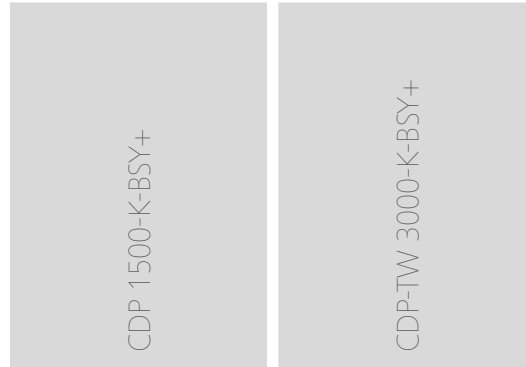


5014068.18001



Technical data

For further information please contact your D+H partner.



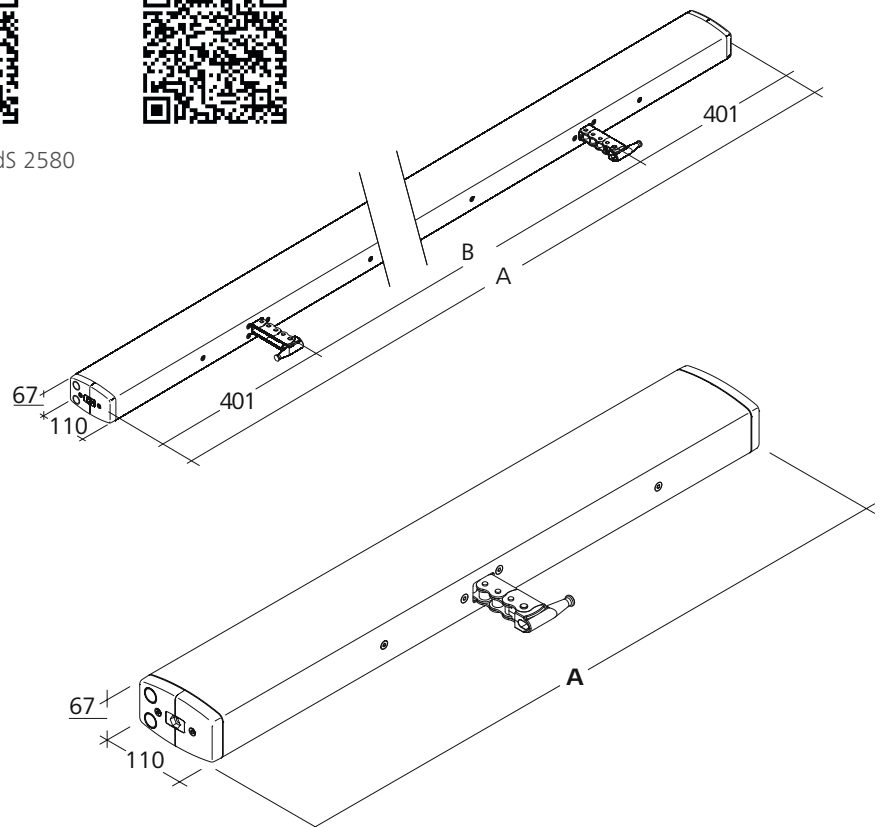
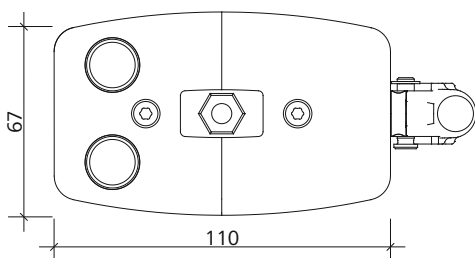
Supply	230 V AC / +10 % ... -15 %	
Input frequency	50 Hz	
Performance	80 W / 107 VA	160 W / 214 VA
Force of pressure	1500 N	3000 N
Tensile force	1500 N	3000 N
Nominal locking force **	3000 N	6000 N
Service life	> 10000 double strokes	
Stroke	800 - 1500 mm	
Type of protection	IP 32	
Emission sound pressure level	LpA ≤ 70 dB(A)	
Temperature range	-15 °C (-5 °C **) ... +75 °C	
Housing	Aluminium	
Colour	White aluminium (~ RAL 9006)	
H x D	67 x 110 mm	
Dimension A	702 - 1264 mm	1672 / 2002 mm
Dimension B	-	870 / 1200 mm



* Depending on the mounting, ** in accordance with VdS 2580

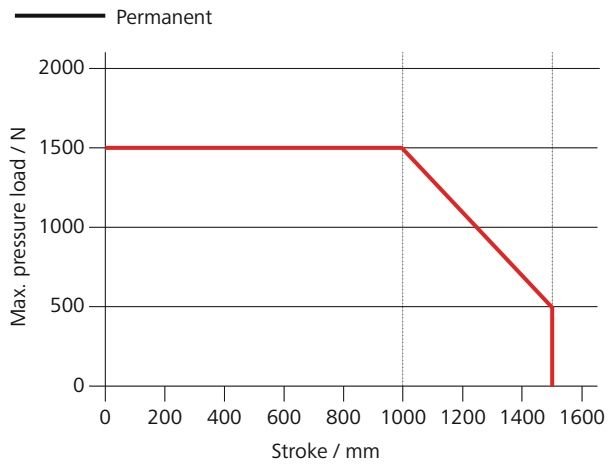
Dimensions

All specifications in mm

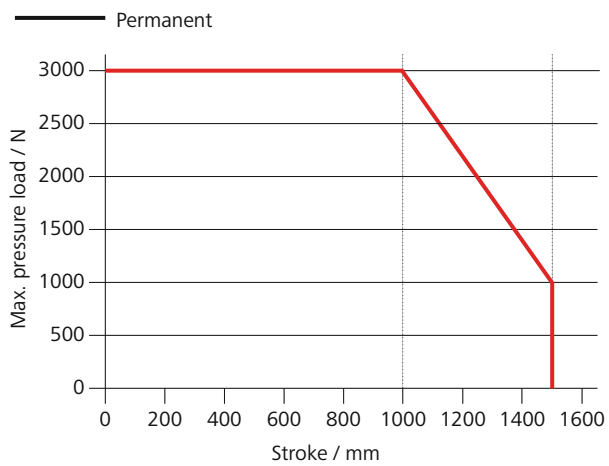


Pressure load diagram

CDP 1500-K-BSY+

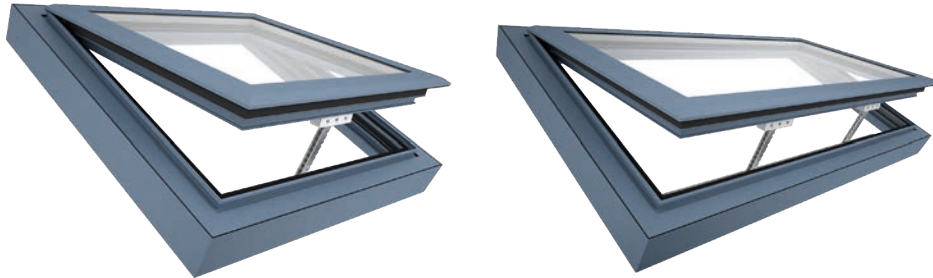


CDP-TW 3000-K-BSY+



Possible applications

Illustration provided as an example



- » Mounted installation
- » Frame mounting
- » Application force
- » Application tension

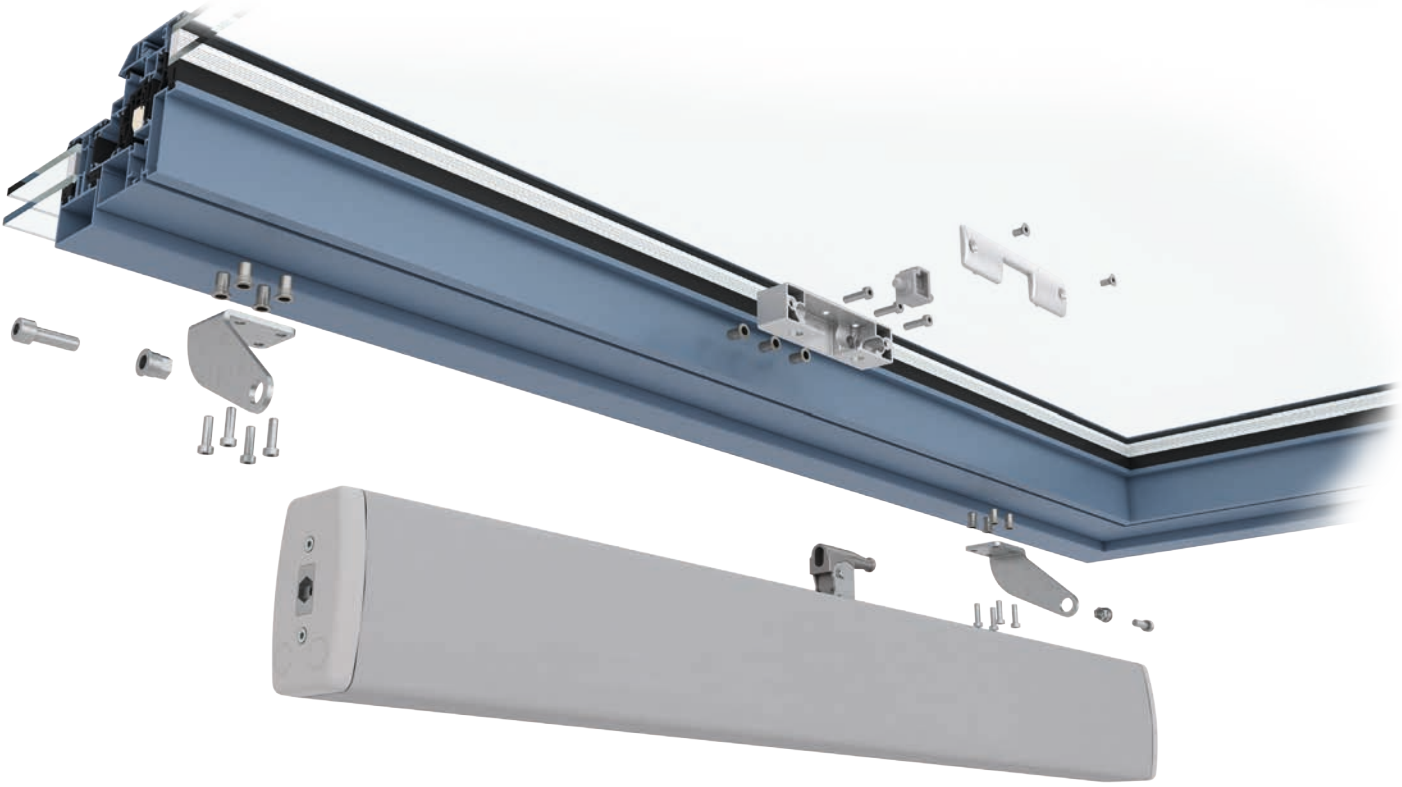
Installation example

CDP-TW 3000/1000-BSY+



Brackets are not included and have to be ordered separately.

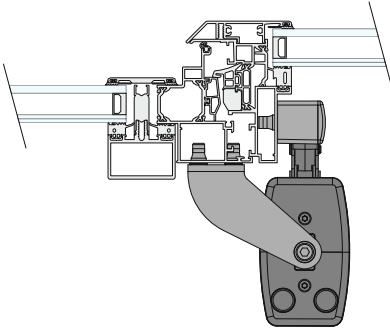
CDP Series High-performance chain drives



Bracket applications

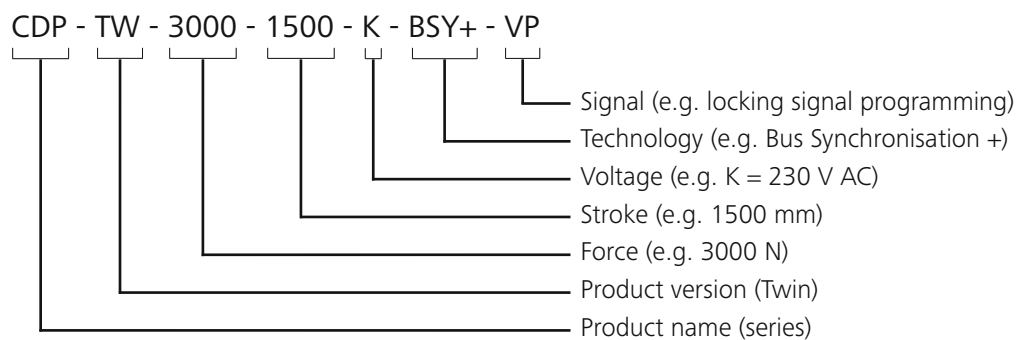
Illustration provided as an example

Roof window,
outward opening



Legend

Product name



Notice / design



SHEV (Smoke and heat exhaust ventilation)



CNV (Controlled natural ventilation)


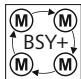
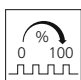





230 V AC



24 V DC

Options icons

-  Function programming
Option for customised configuring of drive parameters (e.g. stroke) via software and associated service tools for drives equipped with PLP, BSY or BSY+ electronics.
-  BSY+ (synchronisation of drives)
BSY+ enables communication and synchronisation between different components in the window. For example between the chain drives, during synchronous operation, or between window and locking drives (e.g. FRA 11 BSY+ or VLD-BSY+).
-  SGI signal (position reporting)
In combination with the D+H servo plug-in unit SE 622 or the BSY-gateway BSY-GW-024-010-U, the drives can be controlled with perfect positioning.
-  SKS (closing edge protection)
Drive option, which enables an anti-trap strip or presence detector to be connected directly to the drive (terminal resistor 5.6 kΩ).
-  Audible signal (corresponding to protection class)
AS2 corresponding to "Protection class 2" in accordance with ZVEI risk assessment through an audible warning signal in the "CLOSED" running direction. AS3 corresponding to "Protection class 3" in accordance with ZVEI risk assessment, in addition to AS2, stops the drive for 11 s with a remaining stroke of 28 mm.
-  End position message (OPEN / CLOSED)
Drive feedback via an integrated isolated switching contact. This happens if the chain / rack and pinion has moved completely out or in.

Overview of standards

DIN EN

DIN EN 60335-2-103

Requirements and test methods for drives for windows

DIN EN 12101-2

Requirements and test methods for natural smoke and heat exhaust ventilators (NSHEV)

VdS

VdS directive VdS 2580

Requirements and test methods for electro-mechanical drives, for natural smoke extraction systems (NSE)

UL

UL 325

This test standard defines, among other aspects, the requirements and test methods for electro-mechanical drives, which shall be used for ventilation purposes. The result of this test is a UR certificate.

Test centres / test symbols

Dekra

Approvals for the electric safety/security of products (drives and control panels) - particularly regarding Low Voltage Directive approvals for drives in accordance with the EN 60335-2-103 standard.

VdS Schadenverhütung

Well-established as a test laboratory for fire protection technology in Europe.

Inspection of SHEV control panels in accordance with the standards listed below or VdS directives.

Named as a notified body by DIBt; inspections in accordance with EN 12101-2 European standards for natural smoke and heat exhaust ventilators and subsequent certification.

Inspection of electro-mechanical drives in accordance with the VdS directive VdS 2580.

EN 12101-2

Drive tested in conjunction with NSHEV in accordance with EN 12101-2.

Underwriters Laboratory UL

Underwriters Laboratories (abbreviated UL) is an independent organisation which inspects and certifies products in terms of their safety. UL inspects products, components, materials and systems to see whether they conform to US and Canadian market requirements.





D+H Mechatronic AG
Georg-Sasse-Straße 28-32
22949 Ammersbek
Germany

Phone: +49 40 60565 0
Fax: +49 40 60565 222
E-Mail: info@dh-partner.com



Your D+H service and sales partner:

WWW.DH-PARTNER.COM