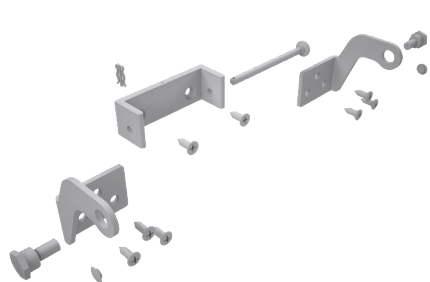
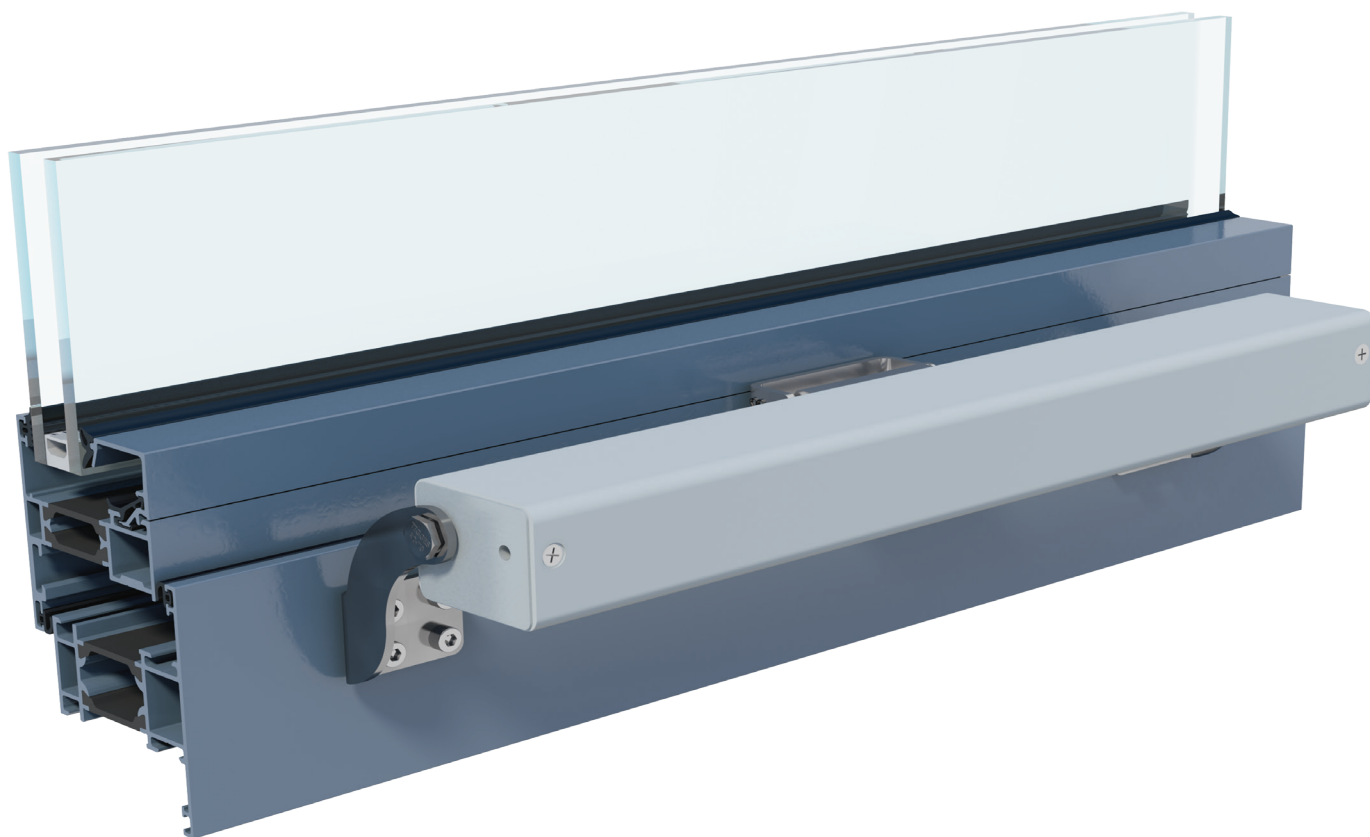
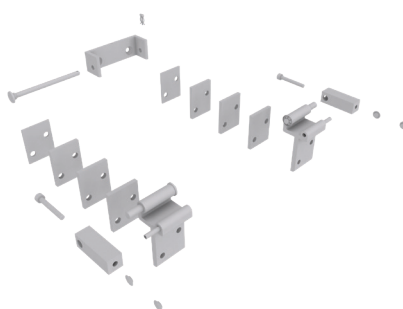


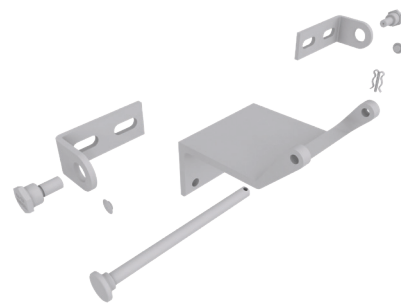
Bracket sets for KA



KA-BS050-VFO



KA-BS040-VSI



KA-BS046-VFI

Performance features

- » Optimal adaptation of bracket sets to the respective profile system
- » Solutions tested as complete systems for SHEV applications in accordance with EN 12101-2
- » All materials required fastening materials are included in the scope of supply of the bracket sets
- » Special colour as an option at the customer's request
- » Application drawings suitable for window and façade manufacturers available

System-specific brackets

Thanks to optimal harmonisation of the bracket sets with the most common manufacturers (see system vendors), we always have the bracket solution that works for you. Since the installation solutions from D+H offer flexibility and outstanding variety, the drives can be installed without a hitch.

System vendors

Aluprof®	Reynaers®
Colt®	Sapa®
Gutmann®	Schüco®
Heroal®	Skandinaviska®
Jet-Brakel®	Technal®
Raico®	Wicona®

If a suitable manufacturer is not listed for you, please contact our service regarding a solution.

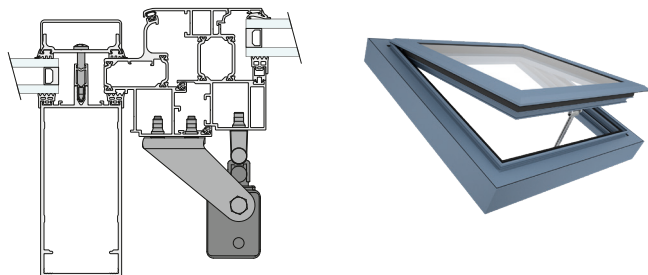
Universal brackets

We also have the right solution ready for you in the form of the universal bracket sets. Our installation solutions are suitable for numerous wood, aluminium or even modern plastic profiles. You can choose between frame mounting and sash mounting. If you have specific questions, we will be happy to offer advice and support.

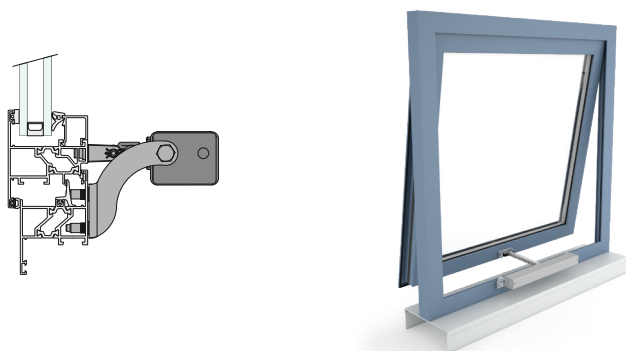
Possible applications

- » Mounted installation
- » Sash mounting
- » Frame mounting
- » Application force
- » Application tension
- » Drawbridge application

Roof window, outward opening



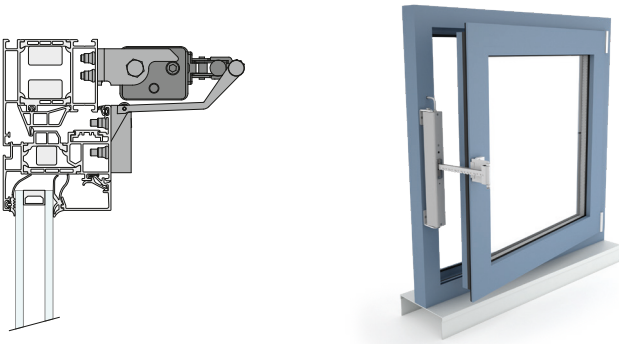
Top-hung window, outward opening



Bottom-hung and side-hung window, inward opening



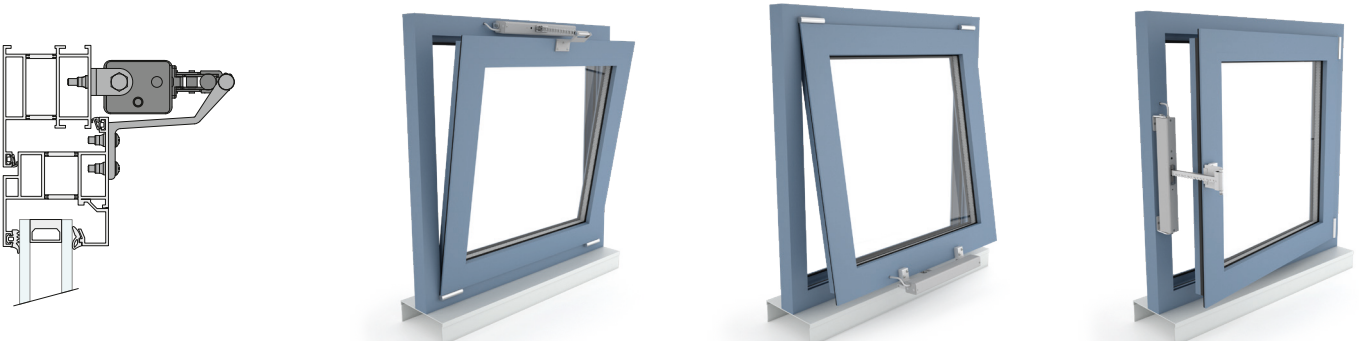
Side-hung vent window, inward opening



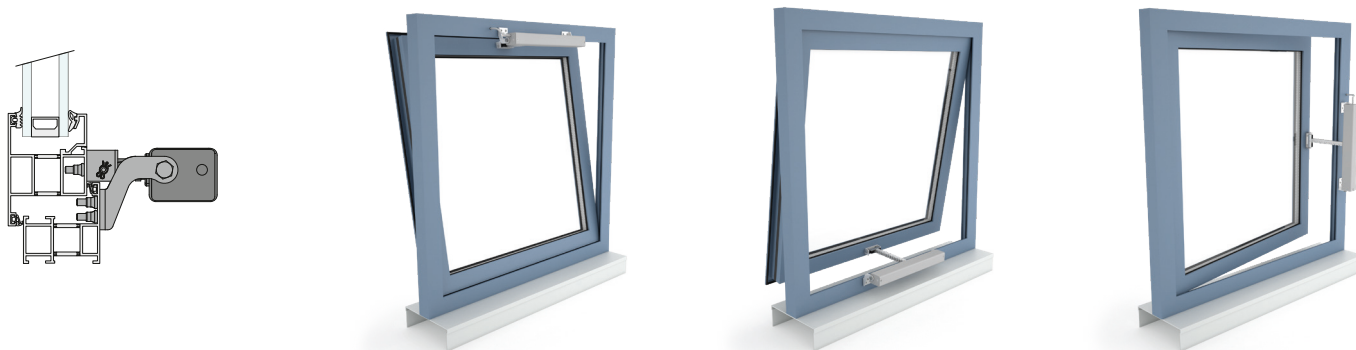
Projected top-hung, parallel opening window, outward opening



Universal bracket sets, inward opening



Universal bracket sets, outward opening



Brackets for skylights

