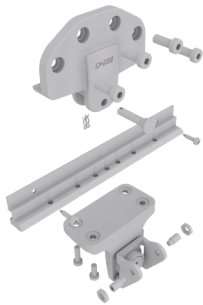
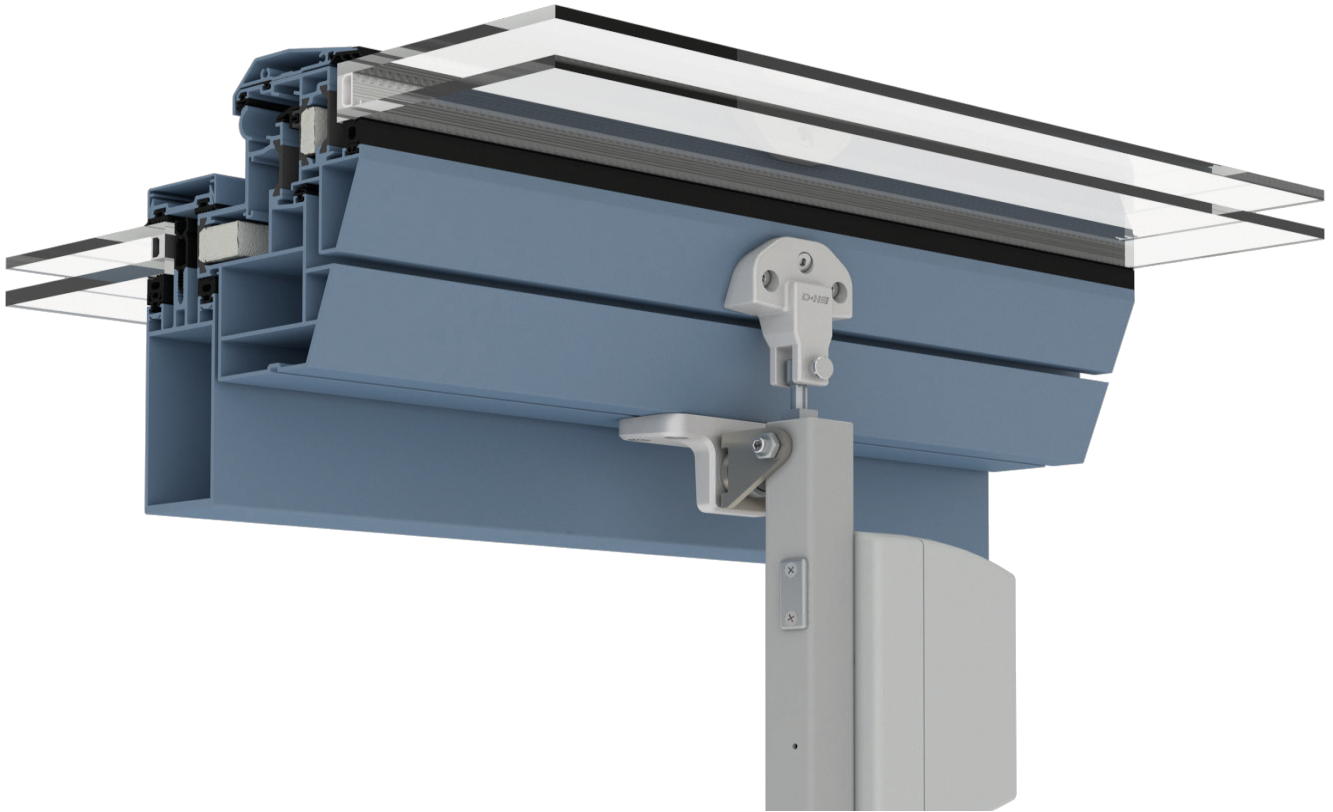


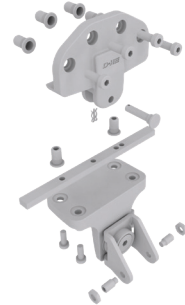
# Bracket sets for ZA



ZA-BS043-SM



ZA-BS044-OM



ZA-BS045-SM

## Performance features

- » Optimal adaptation of bracket sets to the respective profile system
- » Solutions tested as complete systems for SHEV applications in accordance with EN 12101-2
- » All materials required fastening materials are included in the scope of supply of the bracket sets
- » Special colour as an option at the customer's request
- » Application drawings suitable for window and façade manufacturers available

## System-specific brackets

Thanks to optimal harmonisation of the bracket sets with the most common manufacturers (see system vendors), we always have the bracket solution that works for you. Since the installation solutions from D+H offer flexibility and outstanding variety, the drives can be installed without a hitch.

## System vendors

Aluprof®	Reynaers®
Colt®	Sapa®
Heral®	Schüco®
Jet-Brakel®	Wicona®
Raico®	

If a suitable manufacturer is not listed for you, please contact our service regarding a solution.

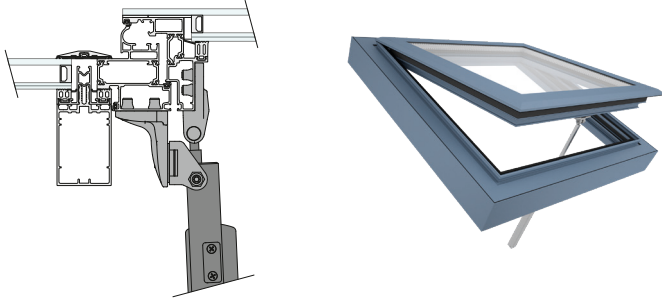
## Universal brackets

We also have the right solution ready for you in the form of the universal bracket sets. Our installation solutions are suitable for numerous wood, aluminium or even modern plastic profiles. You can choose between frame mounting and sash mounting. If you have specific questions, we will be happy to offer advice and support.

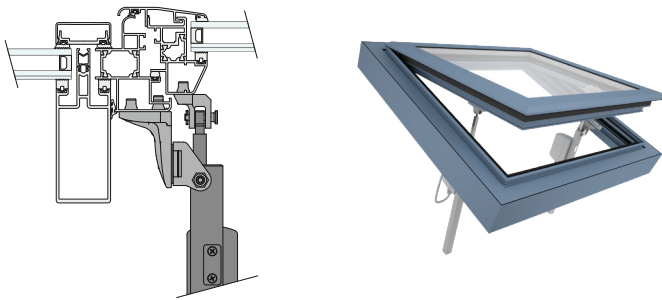
## Possible applications

- » Mounted installation
- » Sash mounting
- » Frame mounting
- » Side installation
- » Installation opposite the hinge
- » Application force
- » Application tension
- » Trapezoidal application

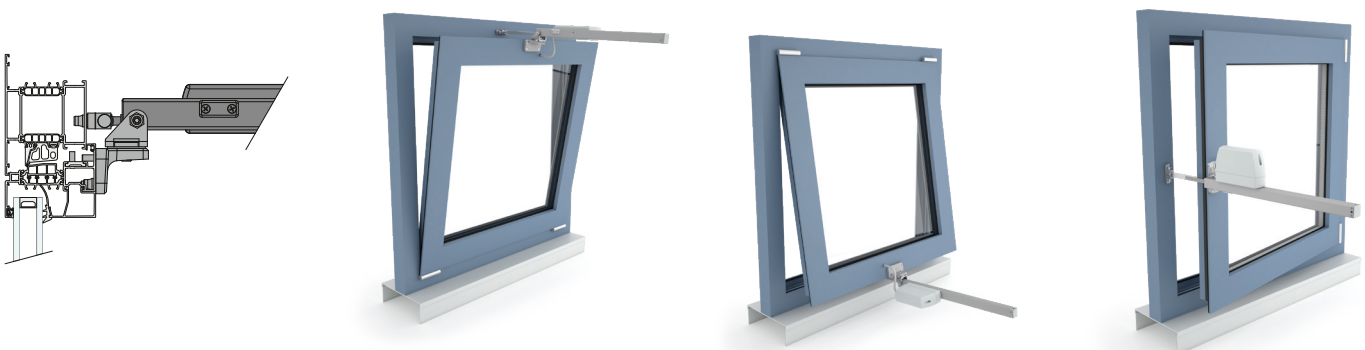
Roof windows, outward opening, installation opposite the hinge



Roof windows, outward opening, side installation

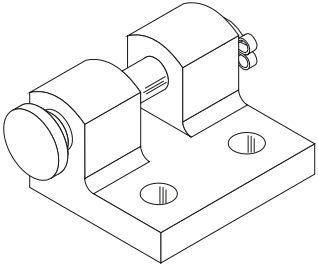
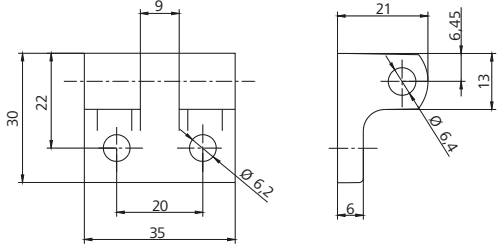
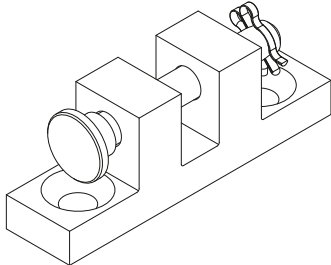
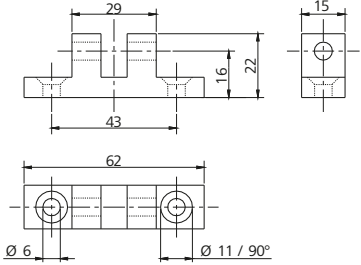
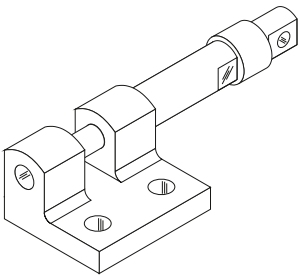
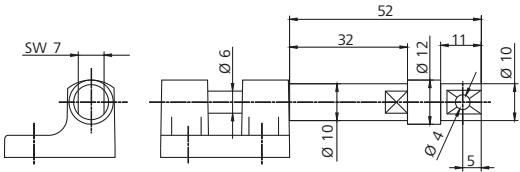
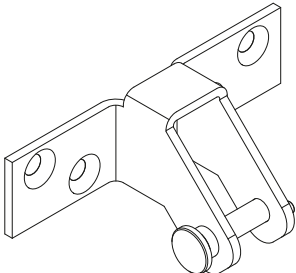
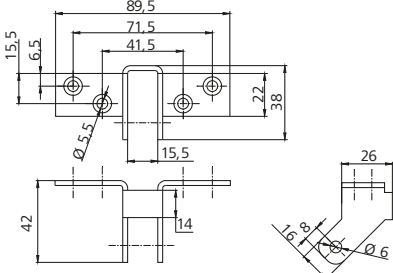


Façade windows, inward opening



Façade windows, outward opening



Sash bracket	Art. No.	Weight	Description
<p>FK</p>  	20.050.80	0.07 kg	<ul style="list-style-type: none"> <li>» With releasable bolt</li> <li>» Die-cast zinc, polished</li> </ul>
<p>FK-D</p>  	20.052.20	0.10 kg	<ul style="list-style-type: none"> <li>» With releasable bolt</li> <li>» Aluminium, silver anodised</li> </ul>
<p>FKE</p>  	20.052.30	0.09 kg	<ul style="list-style-type: none"> <li>» With spring-loaded release pin, e.g. for roof access trapdoor</li> <li>» Die-cast zinc, polished</li> </ul>
<p>FKK</p>  	20.052.40	0.15 kg	<ul style="list-style-type: none"> <li>» With releasable bolt</li> <li>» V2A, polished</li> </ul>

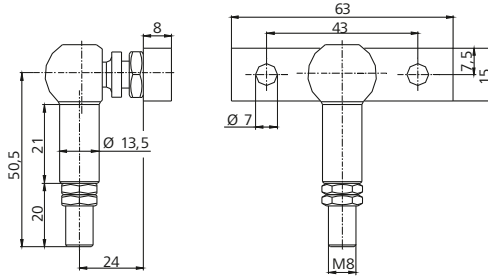
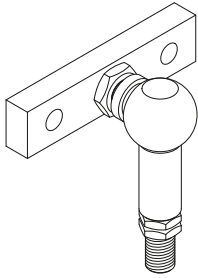
Ball angle joint	Art. No.	Weight	Description
------------------	----------	--------	-------------

KWG

20.051.40

0.10 kg

- » As eyebolt replacement (pull-out strength approx. 1500 N)
- » Aluminium / Steel



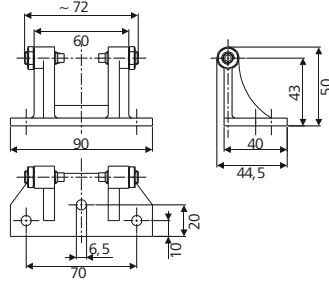
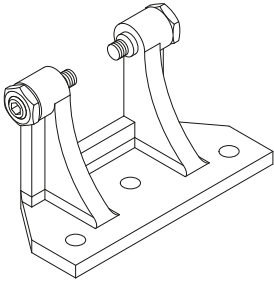
Angle bracket	Art. No.	Weight	Description
---------------	----------	--------	-------------

WK 6

20.052.60

0.10 kg

- » Bracket with 2 stud bolts and locknuts
- » Die-cast aluminium, polished



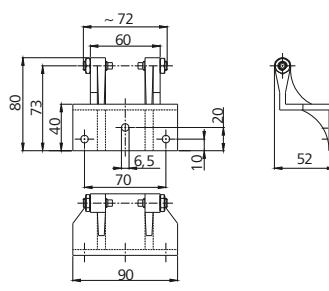
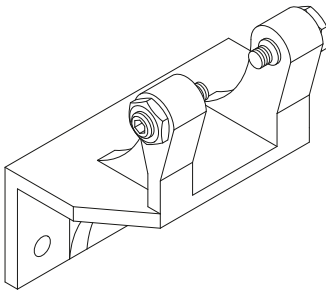
Angle bracket	Art. No.	Weight	Description
---------------	----------	--------	-------------

ZK 6

20.052.70

0.14 kg

- » Bracket with 2 stud bolts and locknuts
- » Die-cast aluminium, polished



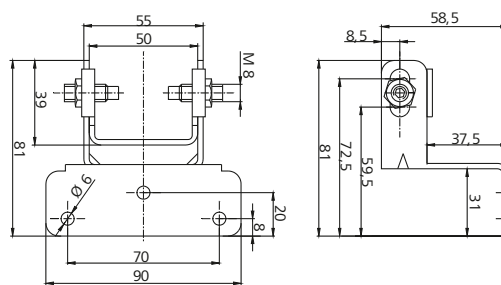
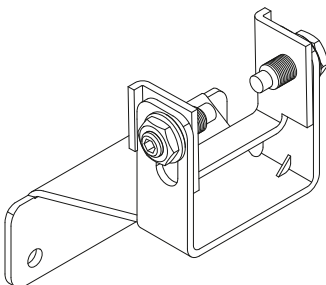
Z-bracket	Art. No.	Weight	Description
-----------	----------	--------	-------------

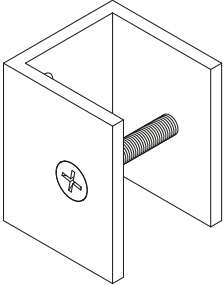
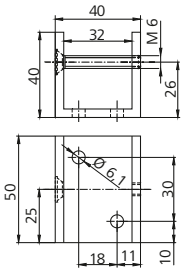
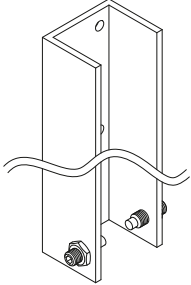
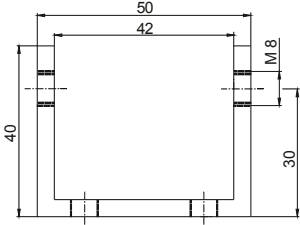
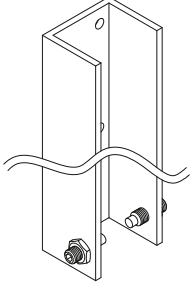
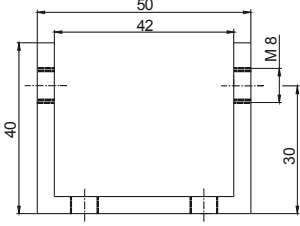
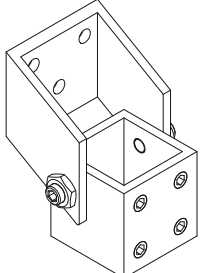
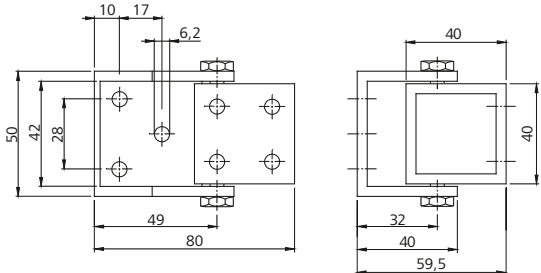
ZKK

20.052.80

0.20 kg

- » Adjustable bracket with 2 stud bolts and locknuts
- » V2A, polished



U-bracket	Art. No.	Weight	Description
<p>UK 50</p>  	20.050.00	0.06 kg	<ul style="list-style-type: none"> <li>» Bracket with through bolt</li> <li>» Aluminium, silver anodised</li> </ul>
<p>UK 350</p>  	20.050.10	0.40 kg	<ul style="list-style-type: none"> <li>» Bracket with 2 stud bolts and locknuts</li> <li>» Length 350 mm</li> <li>» Aluminium, silver anodised</li> </ul>
<p>UK 500</p>  	20.050.20	0.60 kg	<ul style="list-style-type: none"> <li>» Bracket with 2 stud bolts and locknuts</li> <li>» Length 500 mm</li> <li>» Aluminium, silver anodised</li> </ul>
<p>Pivot point displacement bracket</p> <p>DPK 6</p>  	20.052.00	0.14 kg	<ul style="list-style-type: none"> <li>» Bracket with terminal part, 2 stud bolts and locknuts</li> <li>» Aluminium, silver anodised</li> </ul>

